



## Bulk Milk Cooling Tanks from SS ENGINEERS & CONSULTANTS, INDIA

with SS Engineers cooling tanks, your milk is securely cooled to maintain quality.

The basic understanding of milk cooling systems can help farmers make informed about their milk cooling compositions. The milk must be cooled at 18°C at the completion of the first milking in the milk cooling tank, and should not exceed 13°C at the completion of subsequent milking's; The cooled Milk then to be maintained below 7°C till it is collected.

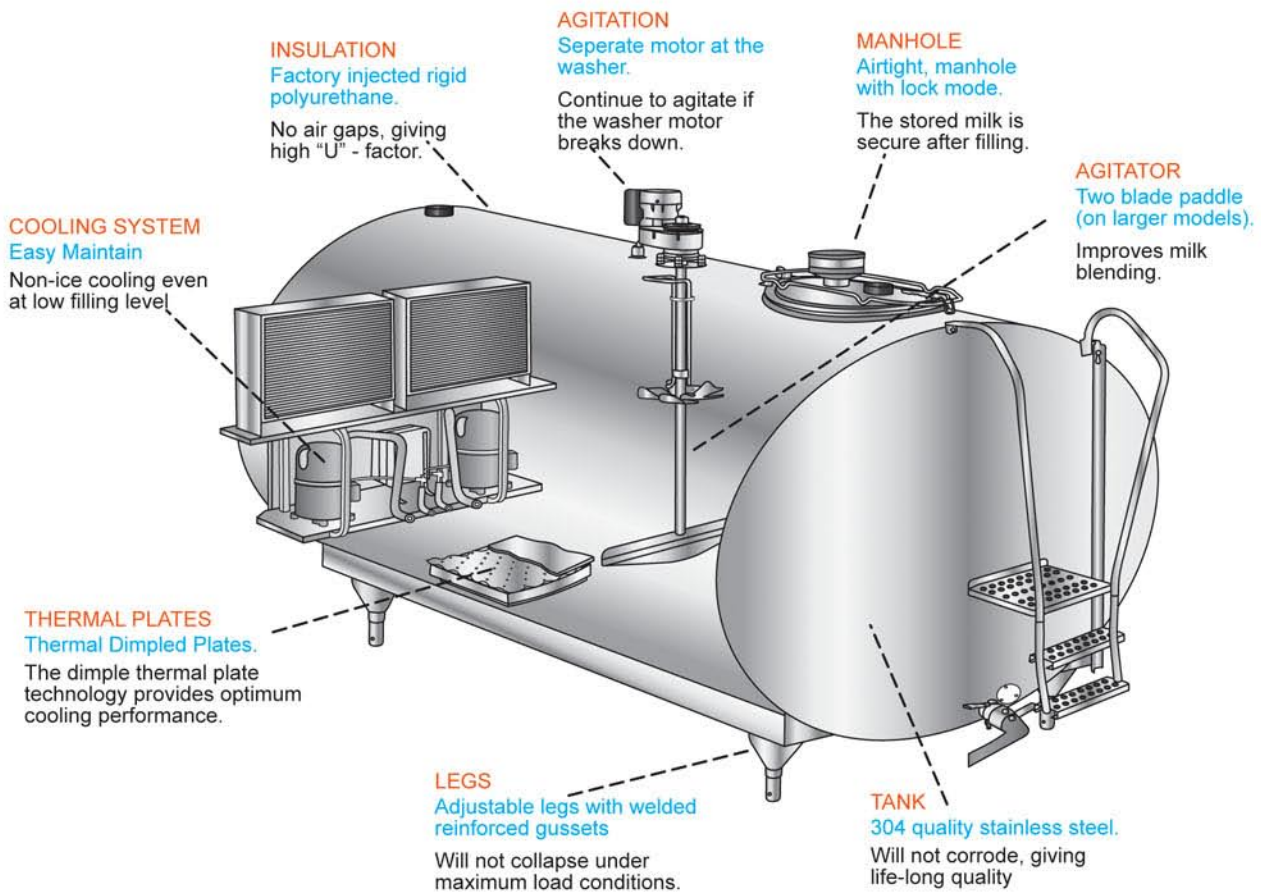
Raw milk grows bacteria rapidly above 7°C, therefore it is important to cool milk at farm's to maintain milk quality. SS Engineers Milk Cooling Tanks are the best solution for cooling milk at the farms.

SS Engineers & Consultants manufacturers cooling tanks made of high-quality stainless steel, the sizes includes from 500 to 5000 liters cooling capacities.

### Feature:

- Environmentally friendly tank insulation from "green" polyurethane foam, CFC-free.
- Higher cooling performance with S.T.I. evaporator.
- Agitator stops automatically if the lid is opened.
- Generously sized lid opening provides optimum access to the tank optimum cleaning and from inside.
- Runs with electronic control A4.
- Rated for Low energy consumption.





CAPACITY	MODEL	TYPE	BMC TANK DIMENSION			CONDENSING UNIT		
			Length	Width	Height	Length	Width	Height
0.5 KL	SSE/C05K	Cylindrical	1120 mm	1120 mm	1300 mm	653 mm	667 mm	470 mm
1 KL	SSE/HSC1K	Open Horizontal-Semi Cylindrical	1875 mm	1220 mm	750 mm	935 mm	793 mm	685 mm
2 KL	SSE/HSC2K2	Open Horizontal-Semi Cylindrical	2400 mm	1460 mm	865 mm	935 mm	793 mm	685 mm
3 KL	SSE/HSC3K	Open Horizontal-Semi Cylindrical	2620 mm	1870 mm	1300 mm	1200 mm	790 mm	690 mm
3 KL - Closed	SSE/HSCC3K	Closed Horizontal Cylindrical	3100 mm	1700 mm	1400 mm	1200 mm	790 mm	690 mm
5 KL	SSE/HSC5K	Open Horizontal-Semi Cylindrical	3120 mm	1870 mm	1570 mm	1200 mm	790 mm	690 mm
5 KL - Closed	SSE/HSCC5K	Closed Horizontal Cylindrical	3900 mm	2000 mm	1600 mm	1348 mm	785 mm	742 mm

**SS Engineers & Consultants**

#11-49/2, Morumpudi Junction,  
Rajahmundry - 03, Andhra Pradesh, INDIA.  
Ph: +91 883 2426845, 46, 47,  
Fax: +91 883 2430819  
Mobile: +91 9440868551  
E-mail: sales.ssengrindia@gmail.com  
www.ssdairyequipments.com

